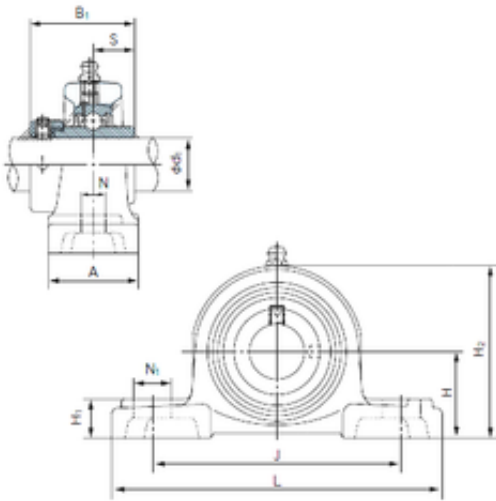




Huaxin Bearing Co., Ltd

NACHI UGP209 bearing units

Bearing No. UGP209



UGP209 Bearing 2D drawings and 3D CAD models

Bore Diameter	45 mm
Width	54 mm
d	45 mm
A	54 mm
B1	56.3 mm
H	54 mm
H1	20 mm
H2	108 mm
J	146 mm
L	190 mm
N	17 mm
N1	22 mm
S	21.4 mm
Bolt (G)	M14