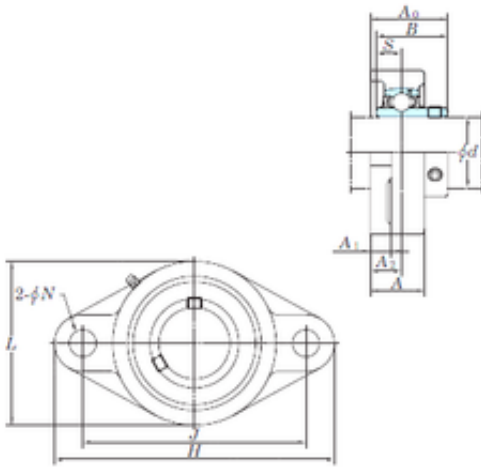




Huaxin Bearing Co., Ltd

KOYO UCFL216-50 bearing units

Bearing No. UCFL216-50



UCFL216-50 Bearing 2D drawings and 3D CAD models

Bore Diameter	79,375 mm
d	79,375 mm
A0	83,3 mm
A	58 mm
A1	20 mm
B	82,6 mm
H	290 mm
J	233 mm
L	180 mm
N	25 mm
S	33,3 mm
A2	34 mm
Weight	7,8 Kg
Basic static load rating (C0)	72,7 kN