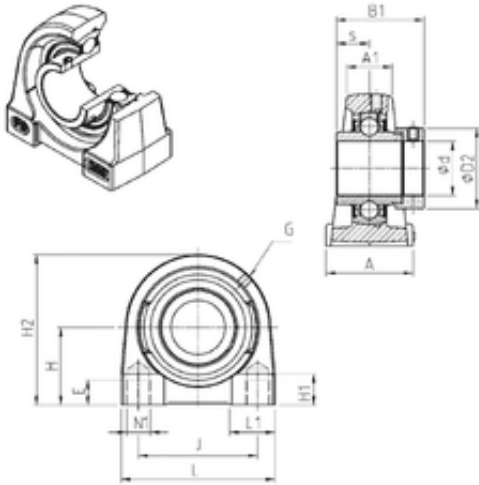




Huaxin Bearing Co., Ltd



EXPG203 Bearing 2D drawings and 3D CAD models

SNR EXPG203 bearing units

Bearing No. EXPG203

Bore Diameter	17 mm
d	17 mm
s	17 mm
A	38 mm
A1	20 mm
B1	43,5 mm
D2	33,3 mm
E	16 mm
H	33,3 mm
H1	14 mm
H2	64 mm
J	49 mm
L	70 mm
L1	21 mm
Thread (G)	M6x1
Thread (N1)	M8
Weight	0,7 Kg
Basic dynamic load rating (C)	12,8 kN