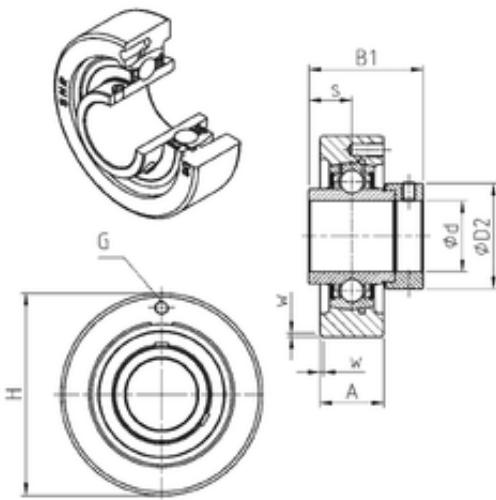




Huaxin Bearing Co., Ltd

SNR EXC216 bearing units

Bearing No. EXC216



EXC216 Bearing 2D drawings and 3D CAD models

Bore Diameter	80 mm
d	80 mm
s	37,3 mm
A	48 mm
B1	95,2 mm
D2	110 mm
H	170 mm
W	2 mm
Thread (G)	M6x1
Weight	6,7 Kg
Basic dynamic load rating (C)	72,5 kN
B	74.6 mm
A3	2 mm
A5	37.3 mm
d1	110 mm
G	M6x1
s1	64.3 mm
S	37.3 mm
SW	6 mm
C	72.5 kN
C0	54.2 kN
T min.	-20 ° C
T max.	100 ° C
Recommended tightening torque for set screw	33 Nm
Designation of housing	C216-



Huaxin Bearing Co., Ltd

Designation of bearing	EX216G2
------------------------	---------