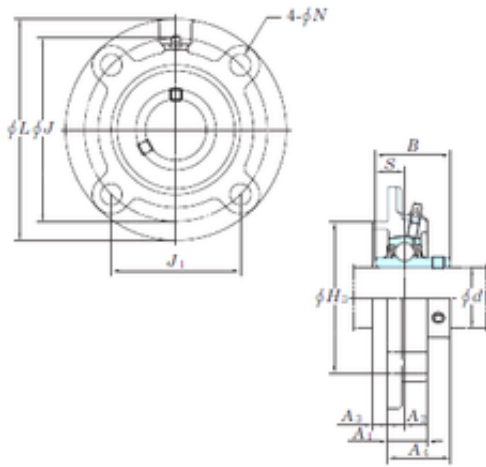




Huaxin Bearing Co., Ltd

KOYO UCFC215-47 bearing units



Bearing No. UCFC215-47

Bore Diameter	74,6125 mm
d	74,6125 mm
H3	160 mm
A4	62,5 mm
A1	40 mm
B	77,8 mm
J	184 mm
L	220 mm
N	19 mm
S	33,3 mm
Bolt (G)	M16
A2	18 mm
A3	16 mm
J1	130,1 mm
Weight	7,2 Kg
Basic dynamic load rating (C)	67,4 kN
Basic static load rating (C0)	48,3 kN

UCFC215-47 Bearing 2D drawings and 3D CAD models