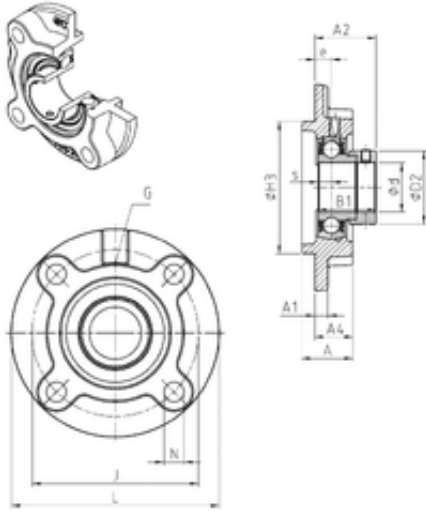




Huaxin Bearing Co., Ltd



SNR ESFC206 bearing units

Bearing No. ESFC206

Bore Diameter	30 mm
d	30 mm
H3	80 mm
A4	23 mm
e	10 mm
s	9 mm
A	31 mm
A1	8 mm
B1	35,7 mm
D2	44,5 mm
J	100 mm
L	125 mm
N	12 mm
Thread (G)	M6x1
A2	36,7 mm
Weight	1,3 Kg
Basic dynamic load rating (C)	19,5 kN

ESFC206 Bearing 2D drawings and 3D CAD models