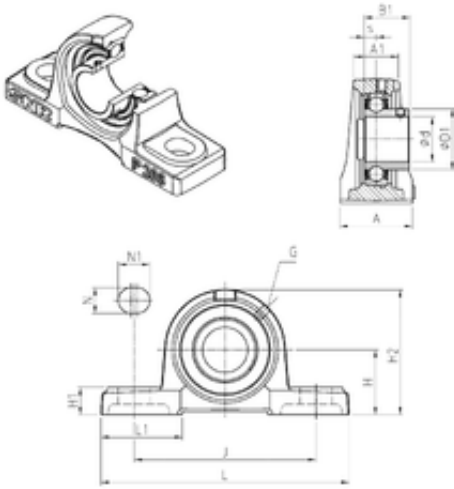




Huaxin Bearing Co., Ltd



USP211 Bearing 2D drawings and 3D CAD models

SNR USP211 bearing units

Bearing No. USP211

Bore Diameter	55 mm
d	55 mm
s	11,8 mm
A	60 mm
A1	40 mm
B1	45,3 mm
D1	69 mm
H	63,5 mm
H1	22 mm
H2	126 mm
J	171 mm
L	219 mm
L1	70 mm
N	20 mm
N1	25 mm
Thread (G)	M6x1
Weight	3,6 Kg
Basic dynamic load rating (C)	43,55 kN