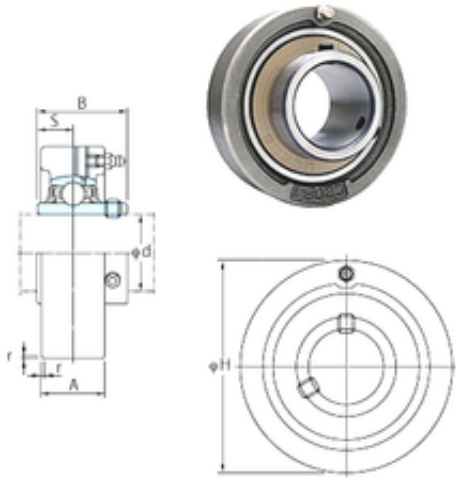




# Huaxin Bearing Co., Ltd

## FYH UCC203 bearing units



Bearing No. UCC203

UCC203 Bearing 2D drawings and 3D CAD models

Bore Diameter	17 mm
Width	31 mm
d	17 mm
r	1,5 mm
A	20 mm
B	31 mm
H	72 mm
S	12,7 mm
Weight	0,49 Kg
Basic dynamic load rating (C)	12,8 kN
Basic static load rating (C0)	6,65 kN
Category	Cartridge Unit Bearings
Inventory	0.0
Manufacturer Name	FYH BEARING UNITS
Minimum Buy Quantity	N/A
Weight / Kilogram	0.489
Product Group	M06110
Mounting Method	Set Screw
Housing Style	Cartridge Unit
Housing Material	Cast Iron
Rolling Element	Ball Bearing
Expansion / Non-expansion	Non-expansion
Relubricatable	Yes
Insert Part Number	UC203
Seals	Double Lip Contact
Other Features	Single Row   Normal Duty



## Huaxin Bearing Co., Ltd

	Has Slinger
Long Description	17MM Bore; 72MM Outside Diameter; 20MM Cartridge Housing Width; Set Screw; Cartridge Unit; Cast Iron; Ball Bearing; 31MM Length Thru Bore; Relubricatable; UC203 Insert; Double Lip Contact; Non-expansi
Inch - Metric	Metric
Category	Mounted Cartridge Units
UNSPSC	31171535
Harmonized Tariff Code	8483.20.40.40
Noun	Bearing
Keyword String	Cartridge
Manufacturer URL	<a href="http://www.fyhbearings.com">http://www.fyhbearings.com</a>
Manufacturer Item Number	UCC203
Weight / LBS	1.08
Outside Diameter	2.835 Inch   72 Millimeter
Bore	0.669 Inch   17 Millimeter
Length Thru Bore	1.22 Inch   31 Millimeter
Cartridge Housing Width	0.787 Inch   20 Millimeter