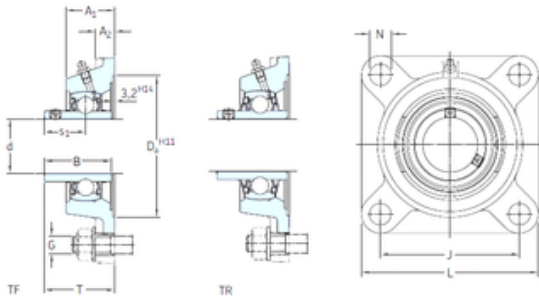




Huaxin Bearing Co., Ltd

SKF FY 2.3/4 TF bearing units

Bearing No. FY 2.3/4 TF



FY 2.3/4 TF Bearing 2D drawings and 3D CAD models

| | |
|-------------------------------|----------|
| Bore Diameter | 69,85 mm |
| Width | 73,1 mm |
| d | 69,85 mm |
| s1 | 46,1 mm |
| A1 | 65,1 mm |
| B | 73,1 mm |
| G | 20 mm |
| J | 152,4 mm |
| L | 197 mm |
| T | 87,4 mm |
| A2 | 19 mm |
| Weight | 6,1 Kg |
| Basic dynamic load rating (C) | 66,3 kN |
| Basic static load rating (C0) | 49 kN |
| Fatigue load limit (Pu) | 2,04 |