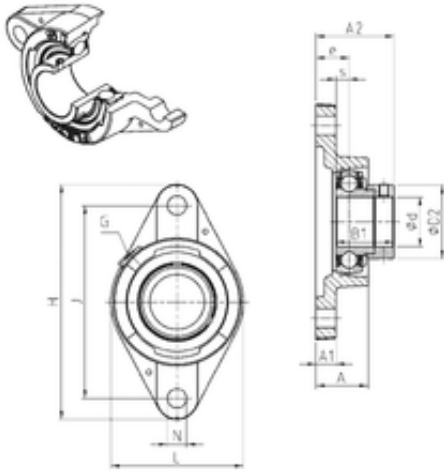




Huaxin Bearing Co., Ltd



SNR ESFLE209 bearing units

Bearing No. ESFLE209

Bore Diameter	45 mm
d	45 mm
e	24 mm
s	11 mm
A	37,5 mm
A1	13 mm
B1	43,7 mm
D2	63,5 mm
H	180 mm
J	148,5 mm
L	111 mm
N	14 mm
Thread (G)	R1/8"
A2	56,7 mm
Weight	1,8 Kg
Basic dynamic load rating (C)	31,85 kN

ESFLE209 Bearing 2D drawings and 3D CAD models