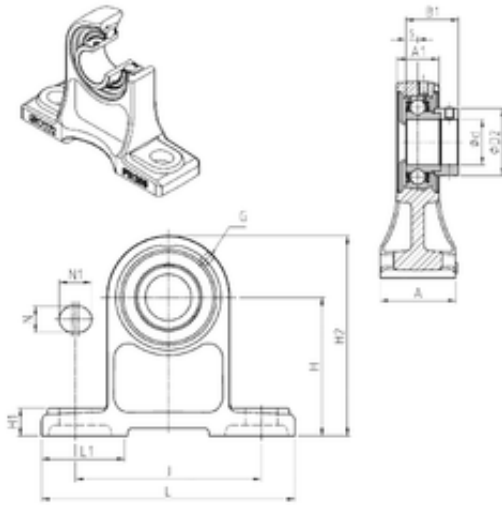




Huaxin Bearing Co., Ltd



SNR ESPH201 bearing units

Bearing No. ESPH201

Bore Diameter	12 mm
d	12 mm
s	6,5 mm
A	38 mm
A1	19 mm
B1	28,6 mm
D2	28,6 mm
H	70 mm
H1	13 mm
H2	97 mm
J	95 mm
L	127 mm
L1	48 mm
N	12 mm
N1	16 mm
Thread (G)	M6x1
Weight	0,7 Kg
Basic dynamic load rating (C)	9,55 kN

ESPH201 Bearing 2D drawings and 3D CAD models