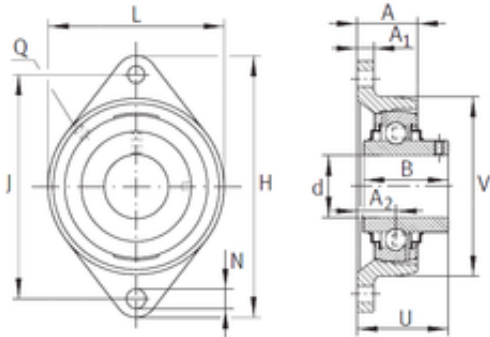




Huaxin Bearing Co., Ltd

INA RCJTY1-1/2 bearing units



Bearing No. RCJTY1-1/2

Bore Diameter	38,1 mm
d	38,1 mm
V	105,512 mm
U	54,204 mm
Thread (Q)	1/8 NPT
A	37,998 mm
A1	15,011 mm
B	49,2 mm
H	172,999 mm
J	143,51 mm
L	105,512 mm
N	13,995 mm
A2	24,003 mm

RCJTY1-1/2 Bearing 2D drawings and 3D CAD models