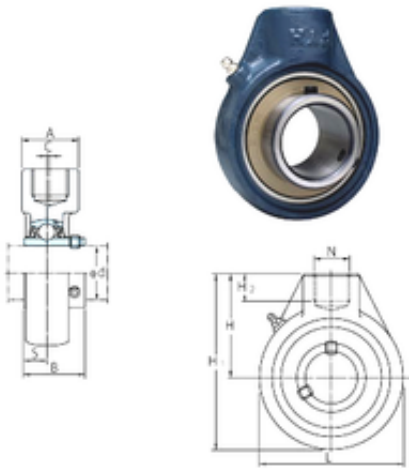




# Huaxin Bearing Co., Ltd



## FYH UCHA202 bearing units

Bearing No. UCHA202

UCHA202 Bearing 2D drawings and 3D CAD models

Bore Diameter	15 mm
Width	31 mm
d	15 mm
A	40 mm
B	31 mm
C	- mm
H	64 mm
H1	96 mm
H2	19 mm
L	64 mm
S	12,7 mm
Bolt (G)	PF 3/4
Weight	0,75 Kg
Basic dynamic load rating (C)	12,8 kN
Basic static load rating (C0)	6,65 kN
Category	Hanger Unit Bearings
Inventory	0.0
Manufacturer Name	FYH BEARING UNITS
Minimum Buy Quantity	N/A
Weight / Kilogram	0.749
Product Group	M06110
Mounting Method	Set Screw
Housing Material	Cast Iron
Mounting Thread	3/4 Straight Pipe Female
Rolling Element	Ball Bearing
Insert Material	Steel



## Huaxin Bearing Co., Ltd

Expansion / Non-expansion	Non-expansion
Housing Style	Hanger Unit
Relubricatable	Yes
Insert Part Number	UC202
Seals	Double Lip Contact
Rating	Normal Duty
Other Features	Single Row   Spherical   Has Slinger
Long Description	15MM Bore; 64MM Base to Center Height; Set Screw; Hanger Unit; Cast Iron Housing; Ball Bearing; 64MM Housing Outside Diameter; 31MM Length Thru Bore; 96MM Housing Overall Length; Steel Insert; UC202
Inch - Metric	Metric
Category	Mounted Hanger Units
UNSPSC	31171513
Harmonized Tariff Code	8483.20.40.40
Noun	Bearing
Keyword String	Hanger
Manufacturer URL	<a href="http://www.fyhbearings.com">http://www.fyhbearings.com</a>
Manufacturer Item Number	UCHA202
Weight / LBS	1.653
Bore	0.591 Inch   15 Millimeter
Housing Overall Length	3.78 Inch   96 Millimeter
Base to Center Height	2.52 Inch   64 Millimeter
Housing Outside Diameter	2.52 Inch   64 Millimeter
Length Thru Bore	1.22 Inch   31 Millimeter