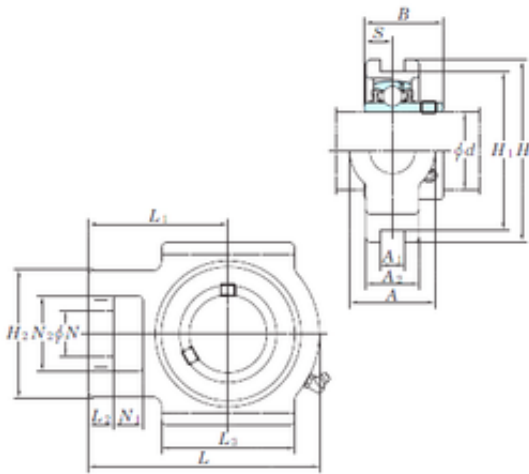




Huaxin Bearing Co., Ltd



KOYO UCTX07-23E bearing units

Bearing No. UCTX07-23E

Bore Diameter	36,5125 mm
d	36,5125 mm
L2	15 mm
L3	83 mm
A	49 mm
A1	17,5 mm
B	49,2 mm
H	114 mm
H1	101,6 mm
H2	83 mm
L	144 mm
L1	88 mm
N	29 mm
N1	19 mm
S	19 mm
A2	36 mm
N2	49 mm
Weight	2,7 Kg
Basic dynamic load rating (C)	29,1 kN
Basic static load rating (C0)	17,8 kN

UCTX07-23E Bearing 2D drawings and 3D CAD models