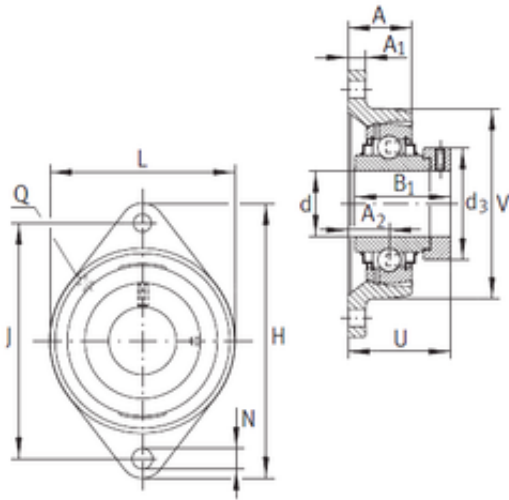




# Huaxin Bearing Co., Ltd

## INA RCJT55 bearing units



RCJT55 Bearing 2D drawings and 3D CAD models

Bearing No. RCJT55

Bore Diameter	55 mm
d	55 mm
V	134 mm
U	74,6 mm
Thread (Q)	Rp1/8
d3	76 mm
A	43,5 mm
A1	15 mm
B1	71,4 mm
H	222 mm
J	184 mm
L	134 mm
N	18 mm
A2	31 mm
Weight	2,92 Kg
Basic dynamic load rating (C)	43,5 kN
Category	Flange Block Bearings
Inventory	0.0
Manufacturer Name	SCHAEFFLER GROUP
Minimum Buy Quantity	N/A
Weight / Kilogram	3.497
EAN	4012802808858
Product Group	M06110
Number of Mounting Holes	2
Mounting Method	Eccentric Collar
Housing Style	2 Bolt Flange Block



## Huaxin Bearing Co., Ltd

Rolling Element	Ball Bearing
Housing Material	Cast Iron
Expansion / Non-expansion	Non-expansion
Mounting Bolts	17 Millimeter
Relubricatable	Yes
Insert Part Number	GE55KRRB
Seals	Double Land Riding Rubber Contact
Housing Configuration	1 Piece Solid
Pilot Configuration	No Pilot
Inch - Metric	Metric
Long Description	2 Bolt Flange Block; 55MM Bore; 184MM Bolt Circle; 184MM Bolt Spacing; 1 Piece Solid; Eccentric Collar Mount; Cast Iron; Ball Bearing; 71.4MM Length Thru Bore; Relubricatable; Double Land Riding Rubbe
Other Features	Single Row   With Set Screw
Category	Flange Block
UNSPSC	31171501
Harmonized Tariff Code	8483.20.40.40
Noun	Bearing
Keyword String	Flanged
Manufacturer URL	<a href="http://www.ina.com">http://www.ina.com</a>
Manufacturer Item Number	RCJT55
Weight / LBS	8.6
Bore	2.165 Inch   55 Millimeter
Nominal Bolt Circle Diameter Round	7.2 Inch   184 Millimeter
Length Thru Bore	2.811 Inch   71.4 Millimeter
Cartridge Pilot Depth	0 Inch   0 Millimeter
Cartridge Pilot Diameter	0 Inch   0 Millimeter
Bolt Spacing	7.244 Inch   184 Millimeter



# Huaxin Bearing Co., Ltd