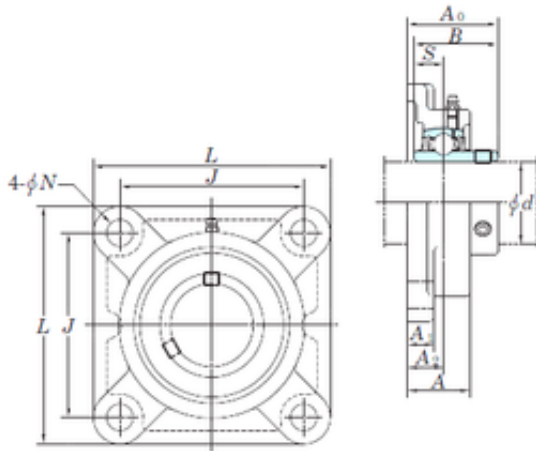




Huaxin Bearing Co., Ltd

KOYO UCF212 bearing units



Bearing No. UCF212

Bore Diameter	60 mm
d	60 mm
A0	68,7 mm
A	48 mm
A1	18 mm
B	65,1 mm
J	143 mm
L	175 mm
N	19 mm
S	25,4 mm
Bolt (G)	M16
A2	29 mm
Weight	4,2 Kg
Basic dynamic load rating (C)	52,4 kN
Basic static load rating (C0)	36,2 kN
Bearing No.	UCF212
Bolt size	M16
Cr	52.4
C0r	36.2
f0	14.4
(Refer.)Unit mass(kg)	4.2
Nipple size	R1/8

UCF212 Bearing 2D drawings and 3D CAD models