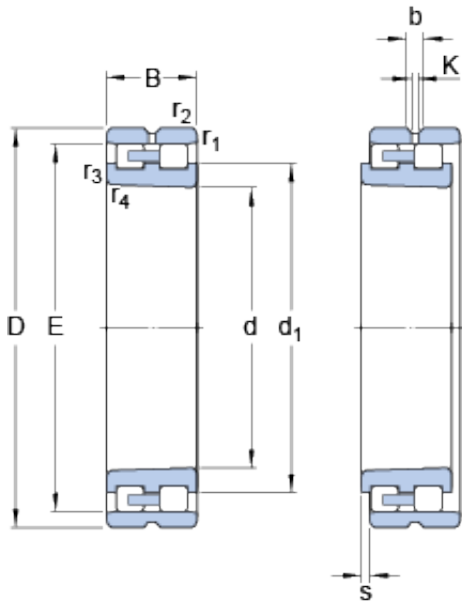




Huaxin Bearing Co., Ltd



NN 3038 K/SPW33 Bearing 2D drawings and 3D CAD models

190 mm x 290 mm x 75 mm SKF NN 3038 K/SPW33 cylindrical roller bearings

Bearing No. NN 3038 K/SPW33

Size	190x290x75 mm
Bore Diameter	190 mm
Outer Diameter	290 mm
Width	75 mm
d	190 mm
D	290 mm
B	75 mm
d ₁	228.2 mm
E	265 mm
b	11.3 mm
K	6 mm
r _{1,2} - min.	2.1 mm
r _{3,4} - min.	1.1 mm
s	3 mm
d _a - min.	201 mm
D _a - min.	267 mm
D _a - max.	279 mm
r _a - max.	2 mm
d _n	258.9 mm
Basic dynamic load rating - C	594 kN
Basic static load rating - C ₀	1080 kN
Fatigue load limit - P _u	108 kN
Limiting speed for grease lubrication	2800 r/min



Huaxin Bearing Co., Ltd

Limiting speed for oil lubrication	3200 mm/min
G _{ref}	144 cm
Static radial stiffness (guideline value)	4280 N/micron
Category	Cylindrical Roller Bearings
Inventory	0.0
Manufacturer Name	SKF
Minimum Buy Quantity	N/A
Weight / Kilogram	17.1
Product Group	B04270
Bore Profile	Tapered
Cage Material	Brass
Precision Class	Special Precision
Number of Rows of Rollers	Double Row
Separable	Outer Ring - Both Sides
Rolling Element	Cylindrical Roller Bearing
Profile	Complete with Outer and Inner Ring
Snap Ring	No
Internal Clearance	C1-Tight
Retainer	Yes
Relubricatable	Yes
Inch - Metric	Metric
Other Features	3 Rib Inner Ring Plain Outer Ring High Precision Bearing Cage on Inner Ring OD
Long Description	190MM Bore; Tapered Bore Profile; 290MM Outside Diameter; 75MM Width; Brass Cage Material; Special Precision; Double Row; Outer Ring - Both Sides Separable; No Snap Ring; Relubricatable; C1-Tight Int



Huaxin Bearing Co., Ltd

Category	Cylindrical Roller Bearing
UNSPSC	31171547
Harmonized Tariff Code	8482.50.00.00
Noun	Bearing
Manufacturer URL	http://www.skf.com
Manufacturer Item Number	NN 3038 K/SPW33
Weight / LBS	38.956
Bore	7.48 Inch 190 Millimeter
Width	2.953 Inch 75 Millimeter
Outside Diameter	11.417 Inch 290 Millimeter
d_1	228.2 mm
$r_{1,2}$ min.	2.1 mm
$r_{3,4}$ min.	1.1 mm
s max.	3 mm
d_a min.	201 mm
D_a min.	267 mm
D_a max.	279 mm
d_n	258.9 mm
Basic dynamic load rating C	594 kN
Basic static load rating C_0	1080 kN
Fatigue load limit P_u	108 kN
Attainable speed for grease lubrication	2800 r/min
Attainable speed for oil-air lubrication	3200 r/min
Reference grease quantity G_{ref}	144 cm ³
Mass bearing	17 kg