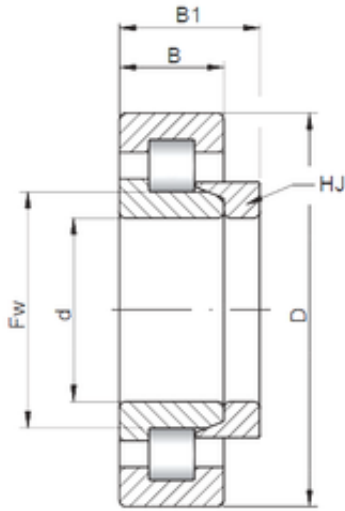




Huaxin Bearing Co., Ltd



360 mm x 540 mm x 82 mm ISO NH1072
cylindrical roller bearings

Bearing No. NH1072

Dimensione	360x540x82 mm
Marchio	ISO
Diametro del foro	360 mm
Diametro esterno	540 mm
Larghezza	82 mm
d	360 mm
D	540 mm
B	82 mm
C	82 mm
B1	21 mm
B2	39,5 mm

NH1072 Bearing 2D drawings and 3D CAD models