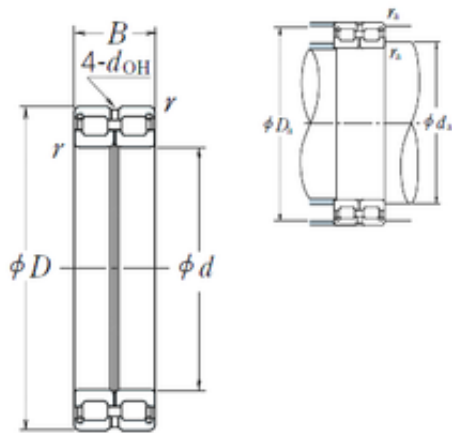




Huaxin Bearing Co., Ltd

65 mm x 90 mm x 25 mm NSK RS-4913E4 cylindrical roller bearings



Bearing No. RS-4913E4

RS-4913E4 Bearing 2D drawings and 3D CAD models

Size	65x90x25 mm
Bore Diameter	65 mm
Outer Diameter	90 mm
Width	25 mm
d	65 mm
D	90 mm
B	25 mm
C	25 mm
r min.	1 mm
da min.	70 mm
Da max.	85 mm
ra max.	1 mm
Weight	0,5 Kg
Basic dynamic load rating (C)	70,5 kN
Basic static load rating (C0)	125 kN
(Grease) Lubrication Speed	1600 r/min
hidYobi	RS-4913E4
LangID	1
D_	90
B_	25
hidTable	ecat_NSCLDRS
Oil rpm	1600
mass	0.5
GRS rpm	3200
ra	1



Huaxin Bearing Co., Ltd

da_min	70
C0	125
DE_	83
Prod_Type3	CRB_FRFS_OT_FIX
DA_	6
Z_	40
yobi	RS-4913E4
da_max	85
SDM_	77
r	1
KBRG	4220
DI_	71
doh	2.5