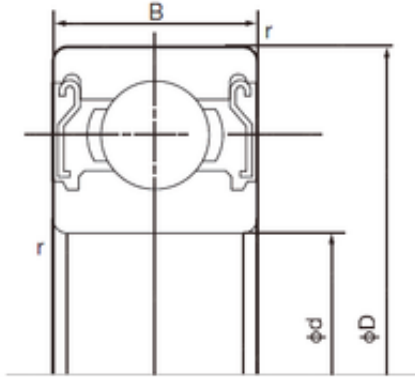




Huaxin Bearing Co., Ltd

90 mm x 140 mm x 24 mm NACHI 6018ZZ deep groove ball bearings



Bearing No. 6018ZZ

6018ZZ Bearing 2D drawings and 3D CAD models

Size	90x140x24 mm
Bore Diameter	90 mm
Outer Diameter	140 mm
Width	24 mm
d	90 mm
D	140 mm
B	24 mm
C	24 mm
r min.	1.5 mm
da min.	97 mm
Da max.	133 mm
ra max.	1.5 mm
Weight	1.17 Kg
Basic dynamic load rating (C)	58 kN
Basic static load rating (C0)	49,5 kN
Category	Single Row Ball Bearings
Inventory	0.0
Manufacturer Name	NACHI
Minimum Buy Quantity	N/A
Weight / Kilogram	0
Product Group	B00308
Enclosure	2 Metal Shields
Precision Class	ABEC 1 ISO P0
Maximum Capacity / Filling Slot	No



Huaxin Bearing Co., Ltd

Rolling Element	Ball Bearing
Snap Ring	No
Internal Special Features	No
Cage Material	Steel
Internal Clearance	C0-Medium
Inch - Metric	Metric
Long Description	90MM Bore; 140MM Outside Diameter; 24MM Outer Race Width; 2 Metal Shields; Ball Bearing; ABEC 1 ISO P0; No Filling Slot; No Snap Ring; No Internal Special Features; C0-Medium Internal Clearance; Ste
Other Features	Deep Groove
Category	Single Row Ball Bearing
UNSPSC	31171504
Harmonized Tariff Code	8482.10.50.68
Noun	Bearing
Keyword String	Ball
Manufacturer URL	http://www.nachiamerica.com
Outer Race Width	0.945 Inch 24 Millimeter
Bore	3.543 Inch 90 Millimeter
Inner Race Width	0 Inch 0 Millimeter
Outside Diameter	5.512 Inch 140 Millimeter
Bore Type	Cylindrical Bore
Configuration	Single Row
Bore Size	90 mm
Width	24 mm
Fillet Radius/Chamfer	1.5 mm
Dynamic Load Rating	58,000 N
Static Load Rating	49,500 N
Limiting Speed - Grease	4,800 rpm



Huaxin Bearing Co., Ltd

Factor fo	15.6
Radial Clearance	0.012 to 0.036 mm
da (min)	97 mm
Da (max)	133 mm
ra (max)	1.5 mm