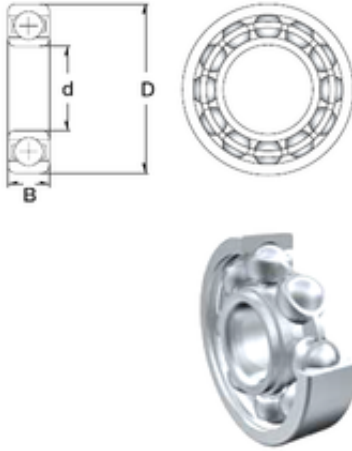




# Huaxin Bearing Co., Ltd



3 mm x 9 mm x 5 mm ZEN S603-2Z deep groove ball bearings

Bearing No. S603-2Z

Size	3x9x5 mm
Bore Diameter	3 mm
Outer Diameter	9 mm
Width	5 mm
d	3 mm
D	9 mm
B	5 mm
C	5 mm
Basic dynamic load rating (C)	0,571 kN
Basic static load rating (C0)	0,189 kN

S603-2Z Bearing 2D drawings and 3D CAD models