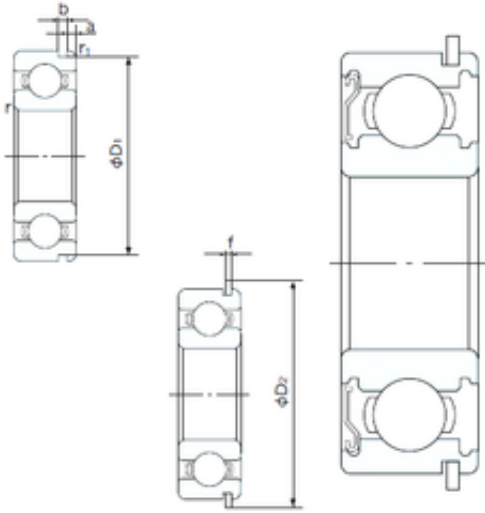




Huaxin Bearing Co., Ltd



50 mm x 110 mm x 27 mm NACHI 6310ZEMR deep groove ball bearings

Bearing No. 6310ZEMR

6310ZEMR Bearing 2D drawings and 3D CAD models

Size	50x110x27 mm
Bore Diameter	50 mm
Outer Diameter	110 mm
Width	27 mm
d	50 mm
D	110 mm
B	27 mm
C	27 mm
a	3.28 mm
b	2.7 mm
f	2.46 mm
r min.	2 mm
r1 min.	0.5 mm
D1	106.81 mm
D2	116.6 mm
Weight	1.07 Kg
Basic dynamic load rating (C)	62 kN
Basic static load rating (C0)	38,1 kN
(Grease) Lubrication Speed	6200 r/min
Category	Single Row Ball Bearings
Inventory	0.0
Manufacturer Name	NACHI
Minimum Buy Quantity	N/A
Weight / Kilogram	0
Product Group	B00308



Huaxin Bearing Co., Ltd

Enclosure	1 Metal Shield
Precision Class	ABEC 1 ISO P0
Maximum Capacity / Filling Slot	No
Rolling Element	Ball Bearing
Snap Ring	Yes
Internal Special Features	No
Cage Material	Steel
Internal Clearance	C0-Medium
Inch - Metric	Metric
Long Description	50MM Bore; 110MM Outside Diameter; 27MM Outer Race Width; 1 Metal Shield; Ball Bearing; ABEC 1 ISO P0; No Filling Slot; Yes Snap Ring; No Internal Special Features; C0-Medium Internal Clearance; Ste
Other Features	Deep Groove With Snap Ring
Category	Single Row Ball Bearing
UNSPSC	31171504
Harmonized Tariff Code	8482.10.50.68
Noun	Bearing
Keyword String	Ball
Manufacturer URL	http://www.nachiamerica.com
Inner Race Width	0 Inch 0 Millimeter
Outer Race Width	1.063 Inch 27 Millimeter
Bore	1.969 Inch 50 Millimeter
Outside Diameter	4.331 Inch 110 Millimeter
Bore Type	Cylindrical Bore
Configuration	Single Row
Bore Size	50 mm
Width	27 mm



Huaxin Bearing Co., Ltd

Fillet Radius/Chamfer	2 mm
r1	0.5 mm
Snap Ring Width	2.5 mm
Snap Ring Outside Diameter	116.6 mm
D1 (max)	106.8 mm
a (max)	3.3 mm
b (min)	2.7 mm
Dynamic Load Rating	62,000 N
Static Load Rating	38,100 N
Limiting Speed - Grease	6,400 rpm
Limiting Speed - Oil	7,500 rpm
Factor fo	13.1
Radial Clearance	0.006 to 0.023 mm
da (min)	60 mm
Da (max)	100 mm
Dx (min)	118 mm
ra (max)	2 mm
Cy (max)	5.4 mm