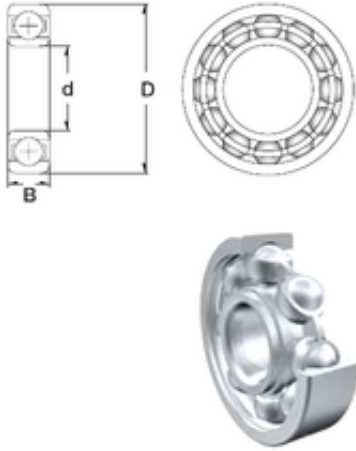




Huaxin Bearing Co., Ltd

15 mm x 21 mm x 4 mm ZEN S61702 deep groove ball bearings



Bearing No. S61702

Size	15x21x4 mm
Bore Diameter	15 mm
Outer Diameter	21 mm
Width	4 mm
d	15 mm
D	21 mm
B	4 mm
C	4 mm
Basic dynamic load rating (C)	0,937 kN
Basic static load rating (C0)	0,582 kN
(Grease) Lubrication Speed	11000 r/min

S61702 Bearing 2D drawings and 3D CAD models