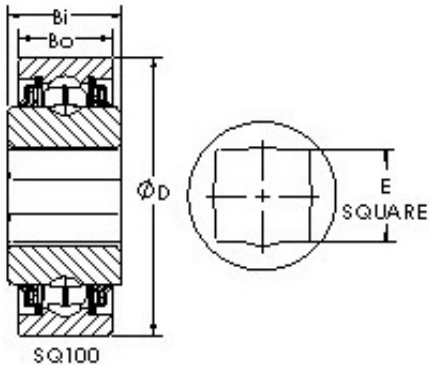




Huaxin Bearing Co., Ltd



AST SQ110-102 deep groove ball bearings

Bearing No. SQ110-102

Outer Diameter	90 mm
Bearing Type	Straight OD
Outer Dia (D)	3.5430
Outer Width (Bo)	1.1875
Inner Width (Bi)	1.4370
Square Hole Size (E)	1.18
Shaft Size (ds) - 1-1/8" SQ	11/8" SQ
Weight (g)	1,010.00

SQ110-102 Bearing 2D drawings and 3D CAD models