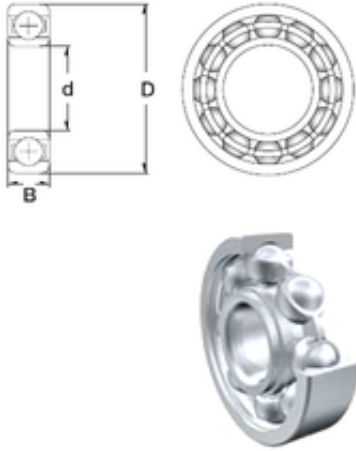




Huaxin Bearing Co., Ltd



15,875 mm x 34,925 mm x 8,733 mm ZEN
SR10-2Z deep groove ball bearings

Bearing No. SR10-2Z

Size	15.875x34.925x8.733 mm
Bore Diameter	15,875 mm
Outer Diameter	34,925 mm
Width	8,733 mm
d	15,875 mm
D	34,925 mm
B	8,733 mm
C	8,733 mm
Basic dynamic load rating (C)	5,988 kN
Basic static load rating (C0)	3,287 kN
(Grease) Lubrication Speed	21000 r/min

SR10-2Z Bearing 2D drawings and 3D CAD models