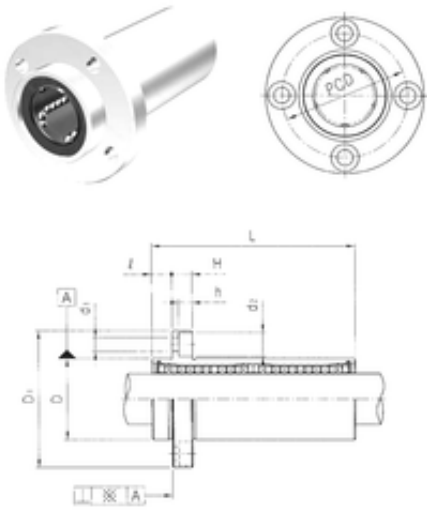




Huaxin Bearing Co., Ltd



LMEFP20L Bearing 2D drawings and 3D CAD models

Samick LMEFP20L linear bearings

Bearing No. LMEFP20L

Bore Diameter	20 mm
Outer Diameter	32 mm
d	20 mm
D	32 mm
d1	9,5 mm
d2	5,4 mm
h	8 mm
D1	54 mm
H	43 mm
L	80 mm
PCD	5,5 mm
	8 Tolerance h14
Tolerance perpendicularity (C)	17
Weight	0,26 Kg
Basic dynamic load rating (C)	1,4 kN