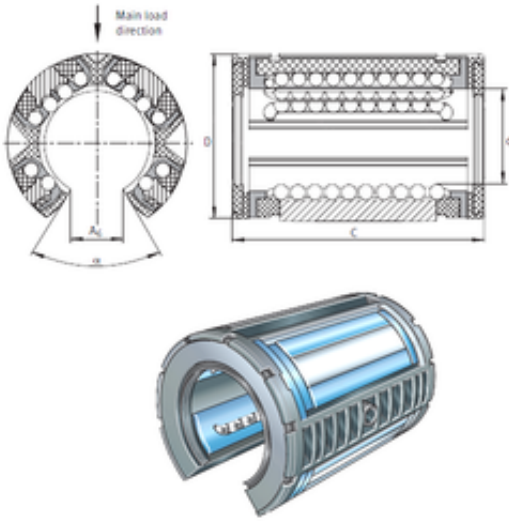




Huaxin Bearing Co., Ltd

INA KSO12 linear bearings

Bearing No. KSO12



KSO12 Bearing 2D drawings and 3D CAD models

Size	12x22x32 mm
Bore Diameter	12 mm
Outer Diameter	22 mm
Width	32 mm
d	12 mm
D	22 mm
C	32 mm
A6	7,6 mm
K4	3 mm
K1	3 mm
Angle (?)	78 °
Weight	0,013 Kg
Basic dynamic load rating (C)	0,9 kN