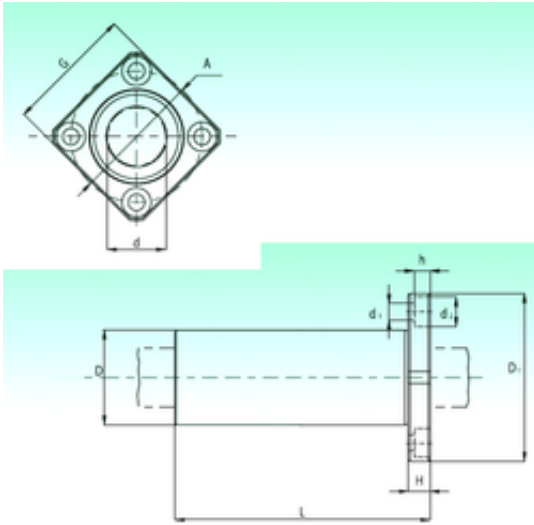




# Huaxin Bearing Co., Ltd



KBKL 50 Bearing 2D drawings and 3D CAD models

## NBS KBKL 50 linear bearings

Bearing No. KBKL 50

Bore Diameter	50 mm
Outer Diameter	75 mm
d	50 mm
D	75 mm
d1	9 mm
d2	14 mm
h	8,6 mm
A	94 mm
D1	112 mm
G	88 mm
H	13 mm
L	192 mm
Weight	3,3 Kg
Basic dynamic load rating (C)	6,08 kN