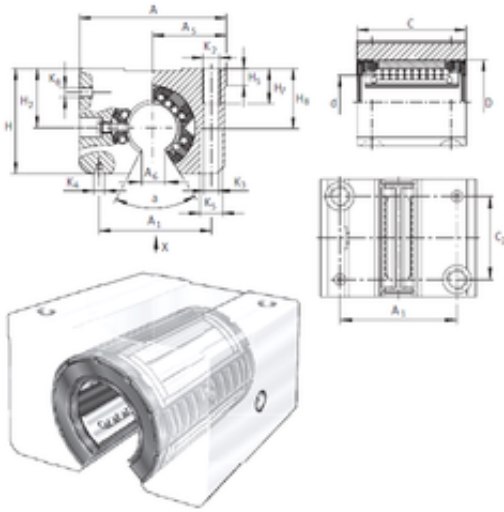




# Huaxin Bearing Co., Ltd



KGSNO50-PP-AS Bearing 2D drawings and 3D CAD models

## INA KGSNO50-PP-AS linear bearings

Bearing No. KGSNO50-PP-AS

Bore Diameter	50 mm
Outer Diameter	75 mm
d	50 mm
D	75 mm
A6	22,7 mm
H5	11,1 mm
H7	35 mm
H8	49 mm
K2	13,5 mm
K3	4 mm
K4	X8,5
K5	20 mm
Thread (K2)	M16
Thread (K8)	NIP 6 MZ
A5	66 mm
Angle (?)	54 °
A	132 mm
A1	108 mm
C	100 mm
H	88 mm
H2	50 mm
C2	50 mm
Weight	2,4 Kg
Basic dynamic load rating (C)	15,1 kN