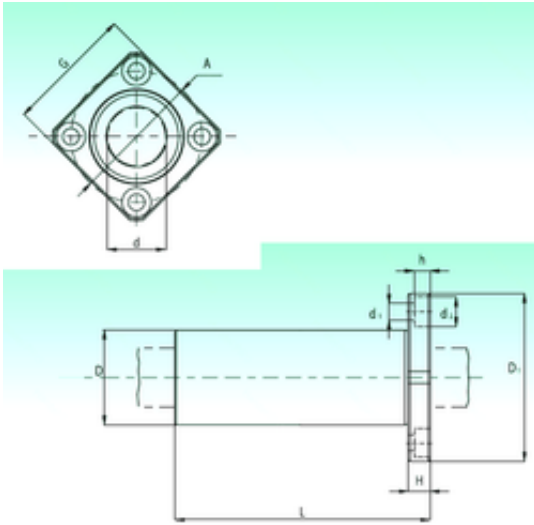




Huaxin Bearing Co., Ltd



KBKL 20 Bearing 2D drawings and 3D CAD models

NBS KBKL 20 linear bearings

Bearing No. KBKL 20

Bore Diameter	20 mm
Outer Diameter	32 mm
d	20 mm
D	32 mm
d1	5,5 mm
d2	9,5 mm
h	5,4 mm
A	43 mm
D1	54 mm
G	42 mm
H	8 mm
L	80 mm
Weight	0,23 Kg
Basic dynamic load rating (C)	1,4 kN