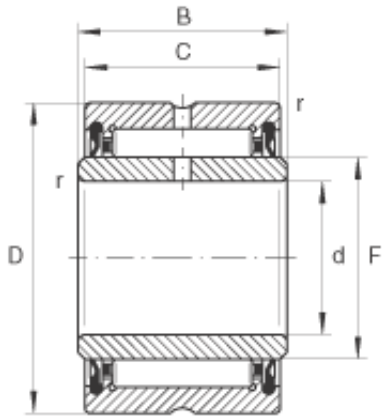




Huaxin Bearing Co., Ltd



45 mm x 68 mm x 23 mm INA NA4909-2RSR needle roller bearings

Bearing No. NA4909-2RSR

NA4909-2RSR Bearing 2D drawings and 3D CAD models

Size	45x68x23 mm
Bore Diameter	45 mm
Outer Diameter	68 mm
Width	23 mm
d	45 mm
D	68 mm
B	23 mm
C	22 mm
F	52 mm
r_{\min}	0,6 mm
m	290 g / Weight
C_r	43000 N / Dynamic load rating (radial)
C_{0r}	59000 N / Static load rating (radial)
C_{ur}	9700 N / Fatigue limit load, radial
$n_{G\text{Fett}}$	3900 1/min / Limiting speed for grease lubrication
Category	Needle Non Thrust Roller Bearings
Inventory	0.0
Manufacturer Name	SCHAEFFLER GROUP
Minimum Buy Quantity	N/A
Weight / Kilogram	0.29
Product Group	B04144
Rolling Element	Needle Roller Bearing



Huaxin Bearing Co., Ltd

Component	Complete with Outer and Inner Ring
Enclosure	2 Seals
Self Aligning	No
Retainer	Yes
Number of Rows of Rollers	Single Row
Separable	Inner Ring - Both Sides
Closed End	No
Inch - Metric	Metric
Relubricatable	Yes
Thrust Bearing	No
Long Description	45MM Bore; 68MM Outside Diameter; 23MM Width; Needle Roller Bearing; Complete with Outer and Inner Ring; 2 Seals; Not Self Aligning; Retainer; Single Row of Rollers; Inner Ring - Both Sides Separable;
Other Features	Plain Inner Ring 2 Rib Outer Ring Precision Steel Cage Ground Raceway with Rib Oil Hole
Category	Needle Non Thrust Roller Bearing
UNSPSC	31171512
Harmonized Tariff Code	8482.40.00.00
Noun	Bearing
Keyword String	Needle
Manufacturer URL	http://www.ina.com
Manufacturer Item Number	NA49092RS
Weight / LBS	0.639
Outside Diameter	2.677 Inch 68 Millimeter
Width	0.906 Inch 23 Millimeter
Bore	1.772 Inch 45 Millimeter



Huaxin Bearing Co., Ltd