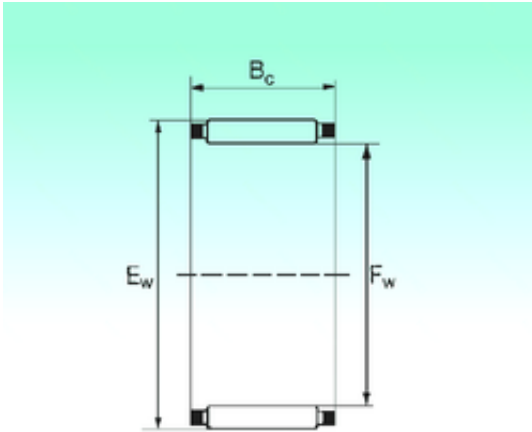




Huaxin Bearing Co., Ltd



NBS K 35x40x13 needle roller bearings

Bearing No. K 35x40x13

Bore Diameter	35 mm
Outer Diameter	40 mm
Fw	35 mm
Ew	40 mm
Bc	13 mm
Weight	0,0188 Kg
Basic dynamic load rating (C)	15,8 kN
Basic static load rating (C0)	27,5 kN

K 35x40x13 Bearing 2D drawings and 3D CAD models