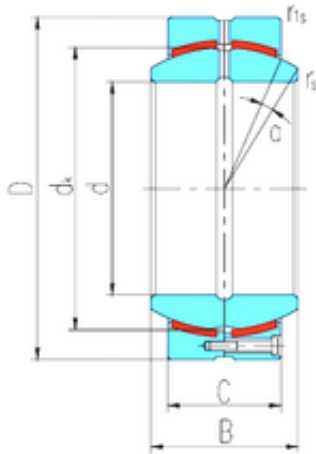




Huaxin Bearing Co., Ltd



320 mm x 460 mm x 230 mm LS GEH320HCS
plain bearings

Bearing No. GEH320HCS

Size	320x460x230 mm
Bore Diameter	320 mm
Outer Diameter	460 mm
Width	230 mm
d	320 mm
D	460 mm
B	230 mm
C	218 mm
dk	414 mm
r min.	1,1 mm
r1 min.	3 mm
Angle	2 °
Weight	148 Kg
Basic dynamic load rating (C)	9020 kN

GEH320HCS Bearing 2D drawings and 3D CAD models