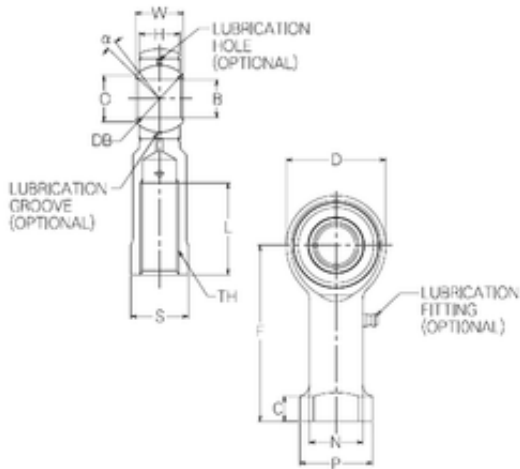




Huaxin Bearing Co., Ltd

12 mm x 34 mm x 12 mm NMB HR12 plain bearings

Bearing No. HR12



HR12 Bearing 2D drawings and 3D CAD models

Bore Diameter	12 mm
d	12 mm
P	24 mm
Db	22,22 mm
O	15,4 mm
B	12 mm
C	6,5 mm
D	34 mm
F	57 mm
H	13,25 mm
L	32 mm
N	18,5 mm
S	20 mm
W	16 mm
Angle	10 °
Thread (TH)	M12 × 1,75