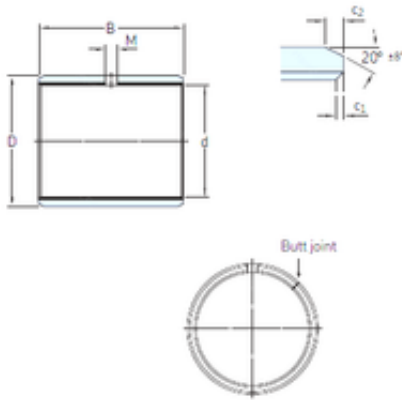




Huaxin Bearing Co., Ltd

25,4 mm x 28,575 mm x 19,05 mm SKF PCZ 1612 M plain bearings



Bearing No. PCZ 1612 M

PCZ 1612 M Bearing 2D drawings and 3D CAD models

Size	25.4x28.575x19.05 mm
Bore Diameter	25,4 mm
Outer Diameter	28,575 mm
Width	19,05 mm
d	25,4 mm
D	28,575 mm
B	19,05 mm
c1 min	0,1 mm
c2 min	0,2 mm
M	4 mm
Weight	0,017 Kg
Basic dynamic load rating (C)	56 kN
c ₁ min.	0.1 mm
c ₁ max.	0.7 mm
c ₂ min.	0.2 mm
c ₂ max.	1 mm
± 8	20 °
Shaft diameter range min.	25.085 mm
Shaft diameter range max.	25.116 mm
Housing bore range min.	28.575 mm
Housing bore range max.	28.595 mm
Basic dynamic load rating - radial direction C	56 kN
Basic static load rating - radial direction C ₀	116 kN



Huaxin Bearing Co., Ltd

Specific dynamic load factor K	120 N/mm ²
Specific static load factor K ₀	250 N/mm ²
Factor depending on material and bearing type K _M	1900
Permissible sliding velocity v min.	0 m/s
Permissible sliding velocity v max.	2.5 m/s
Coefficient of friction μ min.	0.02
Coefficient of friction μ max.	0.2
Mass bushing	0.017 kg