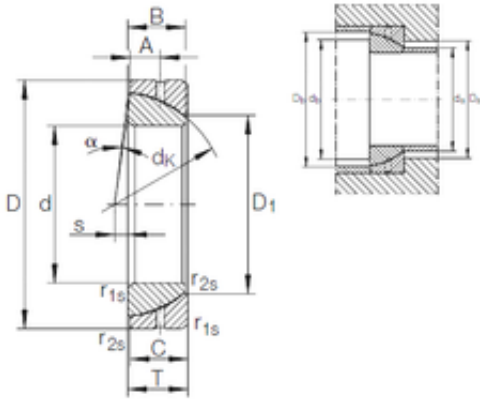




Huaxin Bearing Co., Ltd

25 mm x 47 mm x 14 mm INA GE 25 SX plain bearings



GE 25 SX Bearing 2D drawings and 3D CAD models

Bearing No. GE 25 SX

Size	25x47x15 mm
Bore Diameter	25 mm
Outer Diameter	47 mm
Width	15 mm
d	25 mm
D	47 mm
T	15 mm
B	14 mm
C	14 mm
dk	42,5 mm
r1 min.	0,6 mm
r2 min.	0,2 mm
A	7,5 mm
D1	31,4 mm
S	1 mm
da max	30,1 mm
Da min	34 mm
db min	39,5 mm
Db min.	43 mm
Angle	2,7 °
Weight	0,14 Kg
Basic dynamic load rating (C)	47,8 kN