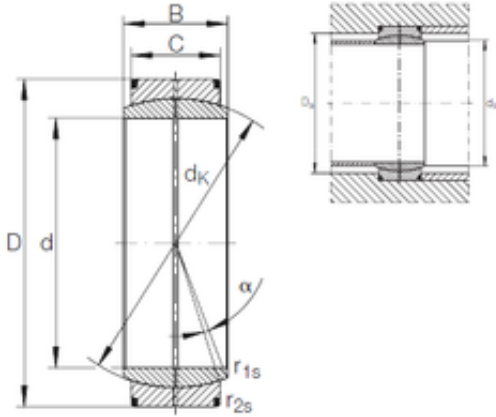




# Huaxin Bearing Co., Ltd

## 670 mm x 900 mm x 308 mm INA GE 670 DO plain bearings

Bearing No. GE 670 DO



GE 670 DO Bearing 2D drawings and 3D CAD models

Size	670x900x308 mm
Bore Diameter	670 mm
Outer Diameter	900 mm
Width	308 mm
d	670 mm
D	900 mm
B	308 mm
C	260 mm
dk	785 mm
r1 min.	3 mm
r2 min.	6 mm
da max	722 mm
Da min	746 mm
Angle	3,7 °
Weight	594 Kg
Basic dynamic load rating (C)	19 kN