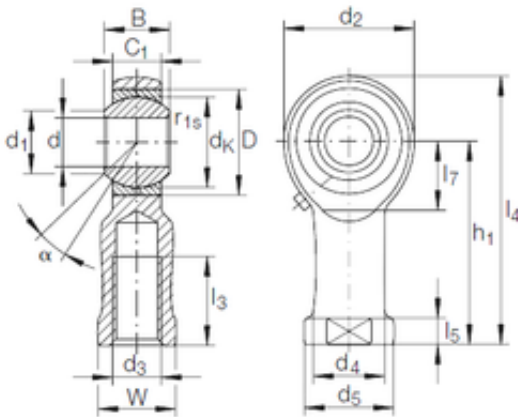




Huaxin Bearing Co., Ltd

20 mm x 40 mm x 25 mm INA GIKR 20 PB plain bearings

Bearing No. GIKR 20 PB



GIKR 20 PB Bearing 2D drawings and 3D CAD models

| | |
|-------------------------------|-------------|
| Size | 20x40x25 mm |
| Bore Diameter | 20 mm |
| Outer Diameter | 40 mm |
| Width | 25 mm |
| d | 20 mm |
| D | 40 mm |
| B | 25 mm |
| d1 | 24,3 mm |
| d2 | 50 mm |
| d4 | 27,5 mm |
| dk | 34,925 mm |
| h1 | 77 mm |
| l3 min. | 33 mm |
| l4 max. | 102 mm |
| l5 | 10 mm |
| l7 min. | 26 mm |
| r1 min. | 0,3 mm |
| C1 | 18 mm |
| W | 30 mm |
| Thread (G) | M20X1,5 |
| Angle | 14 ° |
| d5 | 35 r/min |
| Weight | 0,42 Kg |
| Basic dynamic load rating (C) | 31,5 kN |