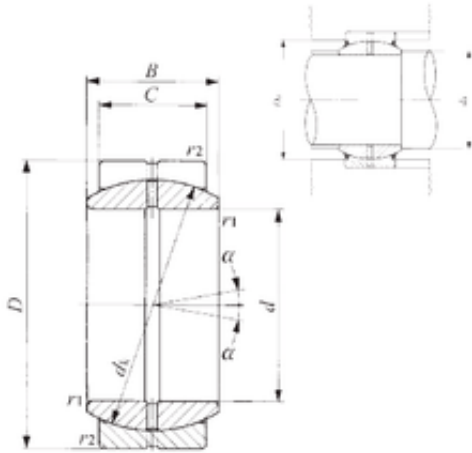




Huaxin Bearing Co., Ltd

70 mm x 105 mm x 49 mm IKO GE 70ES plain bearings



Bearing No. GE 70ES

Size	70x105x49 mm
Bore Diameter	70 mm
Outer Diameter	105 mm
Width	49 mm
d	70 mm
D	105 mm
B	49 mm
C	40 mm
dk	92 mm
r1 min.	1 mm
r2 min.	1 mm
da min.	75,5 mm
da max	77,5 mm
Da min	99,5 mm
Da max.	91 mm
Angle	6 °
Weight	1,54 Kg
Basic dynamic load rating (C)	361 kN

GE 70ES Bearing 2D drawings and 3D CAD models