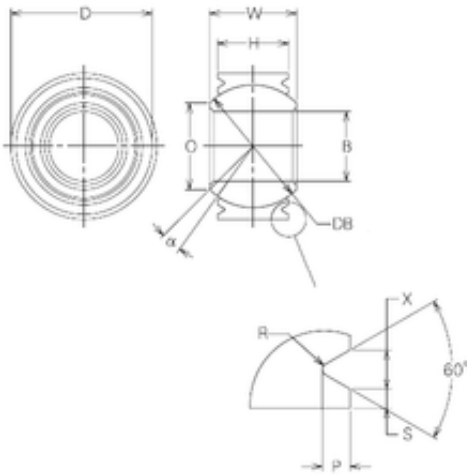




Huaxin Bearing Co., Ltd

30 mm x 64 mm x 30 mm NMB MBW30VCR
plain bearings



Bearing No. MBW30VCR

MBW30VCR Bearing 2D drawings and 3D CAD models

Size	30x64x37 mm
Bore Diameter	30 mm
Outer Diameter	64 mm
Width	37 mm
d	30 mm
D	64 mm
B	37 mm
C	26 mm
P	1,5 mm
Db	54,769 mm
X	2 mm
O	40,4 mm
B	30 mm
D	64 mm
H	26 mm
R	0,5 mm
S	0,7 mm
W	37 mm
Angle	14 °
Weight	0,59 Kg
Static load rating radial (C0)	733,53 kN