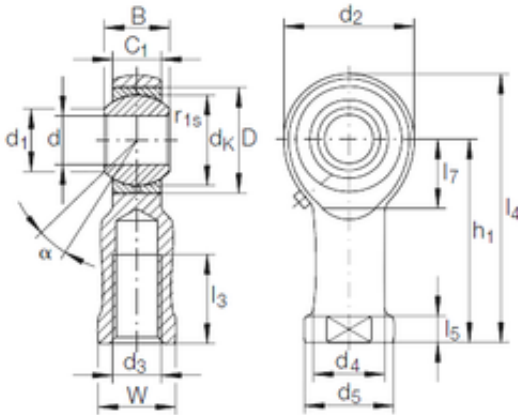




Huaxin Bearing Co., Ltd

20 mm x 40 mm x 25 mm INA GIKFR 20 PB plain bearings

Bearing No. GIKFR 20 PB



GIKFR 20 PB Bearing 2D drawings and 3D CAD models

Size	20x40x25 mm
Bore Diameter	20 mm
Outer Diameter	40 mm
Width	25 mm
d	20 mm
D	40 mm
B	25 mm
d1	24,3 mm
d2	50 mm
d4	27,5 mm
dk	34,925 mm
h1	77 mm
l3 min.	33 mm
l4 max.	102 mm
l5	10 mm
l7 min.	26 mm
r1 min.	0,3 mm
C1	18 mm
W	30 mm
Thread (G)	M20X1,5
Angle	14 °
d5	35 r/min
Weight	0,42 Kg
Basic dynamic load rating (C)	31,5 kN