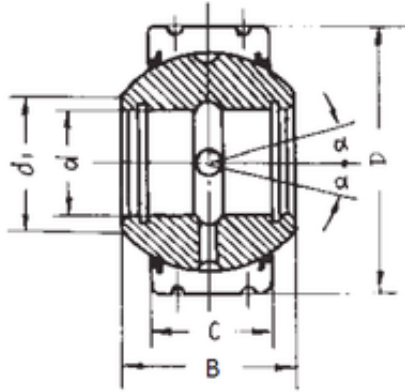




Huaxin Bearing Co., Ltd

60 mm x 135 mm x 98 mm FBJ GEK60XS-2RS
plain bearings



Bearing No. GEK60XS-2RS

Size	60x135x98 mm
Bore Diameter	60 mm
Outer Diameter	135 mm
Width	98 mm
d	60 mm
D	135 mm
B	98 mm
C	72 mm
d1	69,3 mm
Angle	17 °
Weight	6,43 Kg
Basic dynamic load rating (C)	732 kN

GEK60XS-2RS Bearing 2D drawings and 3D CAD models