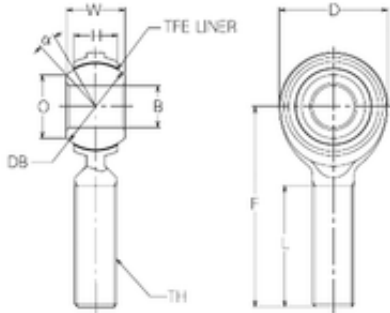




Huaxin Bearing Co., Ltd

14 mm x 34 mm x 14 mm NMB RBT14E plain bearings



Bearing No. RBT14E

Bore Diameter	14 mm
Width	14 mm
d	14 mm
Db	26,99 mm
O	19,2 mm
B	14 mm
D	34 mm
F	60 mm
H	13,5 mm
L	36 mm
W	19 mm
Angle	14 °
Thread (TH)	M14 × 2,0
Weight	0,126 Kg
Basic static load rating (C0)	26,47 kN

RBT14E Bearing 2D drawings and 3D CAD models