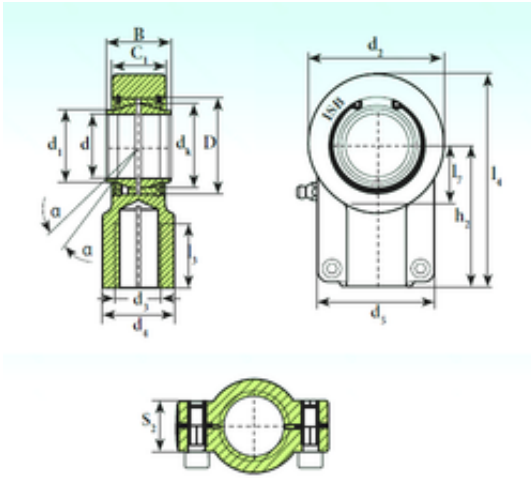




Huaxin Bearing Co., Ltd



40 mm x 62 mm x 40 mm ISB TAPR 640 CE
plain bearings

Bearing No. TAPR 640 CE

Size	40x62x40 mm
Bore Diameter	40 mm
Outer Diameter	62 mm
Width	40 mm
d	40 mm
D	62 mm
B	40 mm
d1	46 mm
d2	90 mm
d4	47 mm
dk	53 mm
h2	97 mm
l3 min.	46 mm
l4 max.	146 mm
l7 min.	41 mm
C1	33 mm
S2	26 mm
Thread (G)	M33x2
Bolt (G)	M10x30
Angle	4 °
d5	80 r/min
Weight	2,18 Kg
Basic dynamic load rating (C)	100 kN

TAPR 640 CE Bearing 2D drawings and 3D CAD models