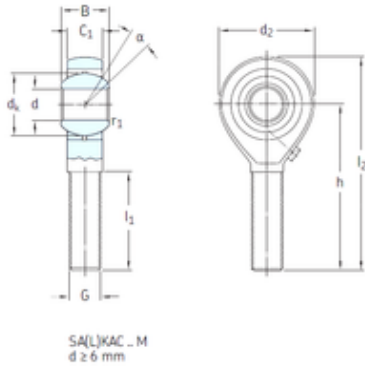




Huaxin Bearing Co., Ltd

SKF SALKAC6M plain bearings



Bearing No. SALKAC6M

Bore Diameter	6 mm
d	6 mm
d2 max.	21 mm
dk	12,7 mm
h	36 mm
l1 min.	21 mm
l2 max.	48 mm
r1 min.	0,3 mm
B	9 mm
C1	6,75 mm
Thread (G)	M6 Tolerance 6g
Angle	13 °
Weight	0,02 Kg
Basic dynamic load rating (C)	4,3 kN

SALKAC6M Bearing 2D drawings and 3D CAD models