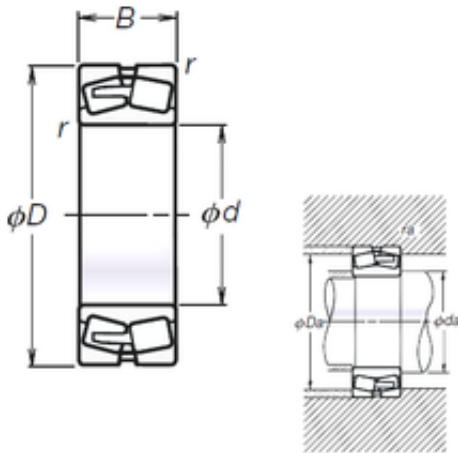




Huaxin Bearing Co., Ltd

200 mm x 340 mm x 112 mm NSK TL23140CAE4 spherical roller bearings



Bearing No. TL23140CAE4

Size	200x340x112 mm
Bore Diameter	200 mm
Outer Diameter	340 mm
Width	112 mm
d	200 mm
D	340 mm
B	112 mm
C	112 mm
r min.	3 mm
da min.	214 mm
Da min	326 mm
Da max.	293 mm
ra max.	2,5 mm
Weight	41,5 Kg
Basic dynamic load rating (C)	1360 kN
Basic static load rating (C0)	2330 kN
(Grease) Lubrication Speed	800 r/min
(Oil) Lubrication Speed	1 000 r/min
Calculation factor (e)	0,32
Calculation factor (Y0)	2,1
Calculation factor (Y2)	3,2

TL23140CAE4 Bearing 2D drawings and 3D CAD models