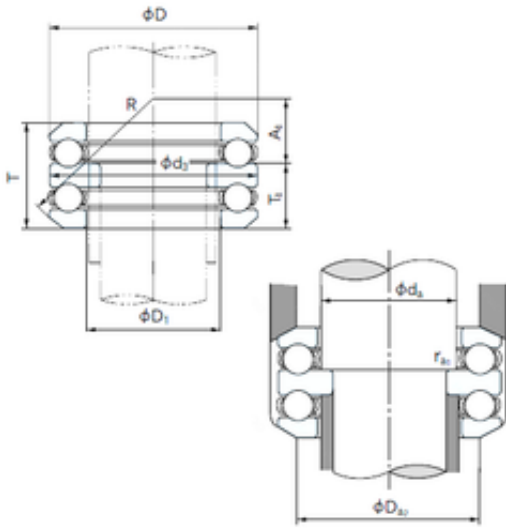




Huaxin Bearing Co., Ltd



54240 Bearing 2D drawings and 3D CAD models

NACHI 54240 thrust ball bearings

Bearing No. 54240

Size	200x280x115.6 mm
Bore Diameter	200 mm
Outer Diameter	280 mm
Width	115.6 mm
d	200 mm
d2	170 mm
D	280 mm
T	115.6 mm
ra1 max.	2 mm
T1	69.8 mm
a	24 mm
d3	279 mm
r min.	2 mm
r1 min.	2 mm
A1	120.5 mm
D1	204 mm
D2	240 mm
D3	290 mm
R	225 mm
da min.	200 mm
Da max.	240 mm
ra max.	2 mm
Weight	22.3 Kg
Basic dynamic load rating (C)	315 kN
Basic static load rating (C0)	1110 kN
(Grease) Lubrication Speed	720 r/min



Huaxin Bearing Co., Ltd