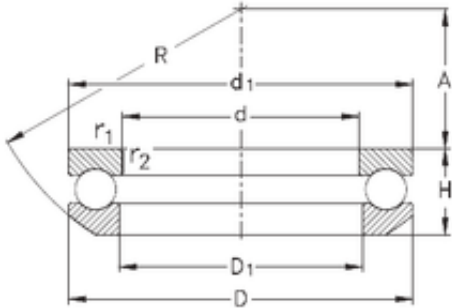




# Huaxin Bearing Co., Ltd

## NKE 53410 thrust ball bearings

Bearing No. 53410



53410 Bearing 2D drawings and 3D CAD models

Size	50x110x45.6 mm
Bore Diameter	50 mm
Outer Diameter	110 mm
Width	45,6 mm
d	50 mm
D	110 mm
H	45,6 mm
d1	110 mm
r1 min.	1,5 mm
r2 min.	1,5 mm
A	35 mm
D1	52 mm
R	90 mm
Weight	2,33 Kg
Basic dynamic load rating (C)	156 kN
Basic static load rating (C0)	310 kN