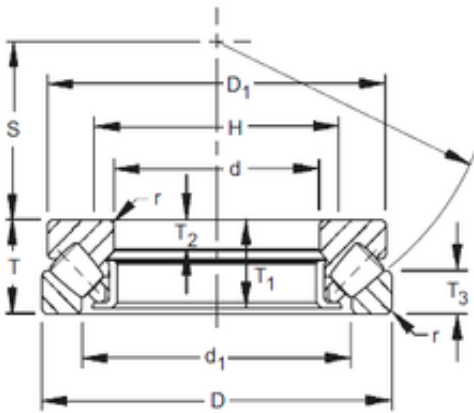




Huaxin Bearing Co., Ltd

29344 TIMKEN Double direction thrust bearings

Bearing No. 29344



29344 Bearing 2D drawings and 3D CAD models

Size	220x360x85 mm
Bore Diameter	220 mm
Outer Diameter	360 mm
Width	85 mm
d	220 mm
D	360 mm
T	85 mm
B	29 mm
C	41 mm
r max	3 mm
T1	81 mm
d1	280 mm
D1	345 mm
H	285 mm
S	125 mm