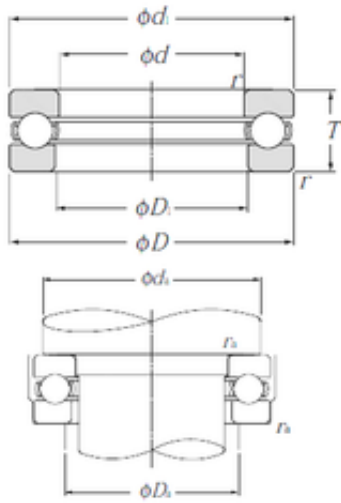




Huaxin Bearing Co., Ltd



51406 Bearing 2D drawings and 3D CAD models

NTN 51406 thrust ball bearings

Bearing No. 51406

Size	30x70x28 mm
Bore Diameter	30 mm
Outer Diameter	70 mm
Width	28 mm
d	30 mm
D	70 mm
T	28 mm
d1	70 mm
r min.	1 mm
D1	32 mm
da min.	54 mm
Da max.	46 mm
ra max.	1 mm
Weight	0,516 Kg
Basic dynamic load rating (C)	72,5 kN
Basic static load rating (C0)	126 kN
(Grease) Lubrication Speed	2 200 r/min
Category	Thrust Ball Bearing
Inventory	0.0
Manufacturer Name	NTN
Minimum Buy Quantity	N/A
Weight / Kilogram	0.517
Product Group	B00308
Rolling Element	Ball Bearing
Thrust Bearing	Yes
Single or Double Direction	Single Direction



Huaxin Bearing Co., Ltd

Banded	No
Cage Material	Steel
Precision Class	ABEC 1 ISO P0
Component Description	Roller Assembly Plus Raceways
Other Features	Single Row With Flat Seat
Long Description	30MM Bore 1; 32MM Bore 2; 70MM Outside Diameter; 28MM Height; Ball Bearing; Single Direction; Not Banded; Steel Cage; ABEC 1 ISO P0 Precision
Inch - Metric	Metric
Category	Thrust Ball Bearings
UNSPSC	31171552
Harmonized Tariff Code	8482.10.50.08
Noun	Bearing
Keyword String	Ball Thrust
Manufacturer URL	http://www.ntnamerica.com
Manufacturer Item Number	51406
Weight / LBS	1.13759
Bore 2	1.26 Inch 32 Millimeter
Outside Diameter	2.756 Inch 70 Millimeter
Height	1.102 Inch 28 Millimeter
Bore 1	1.181 Inch 30 Millimeter
Overall Height with Aligning Washer	0 Inch 0 Millimeter